

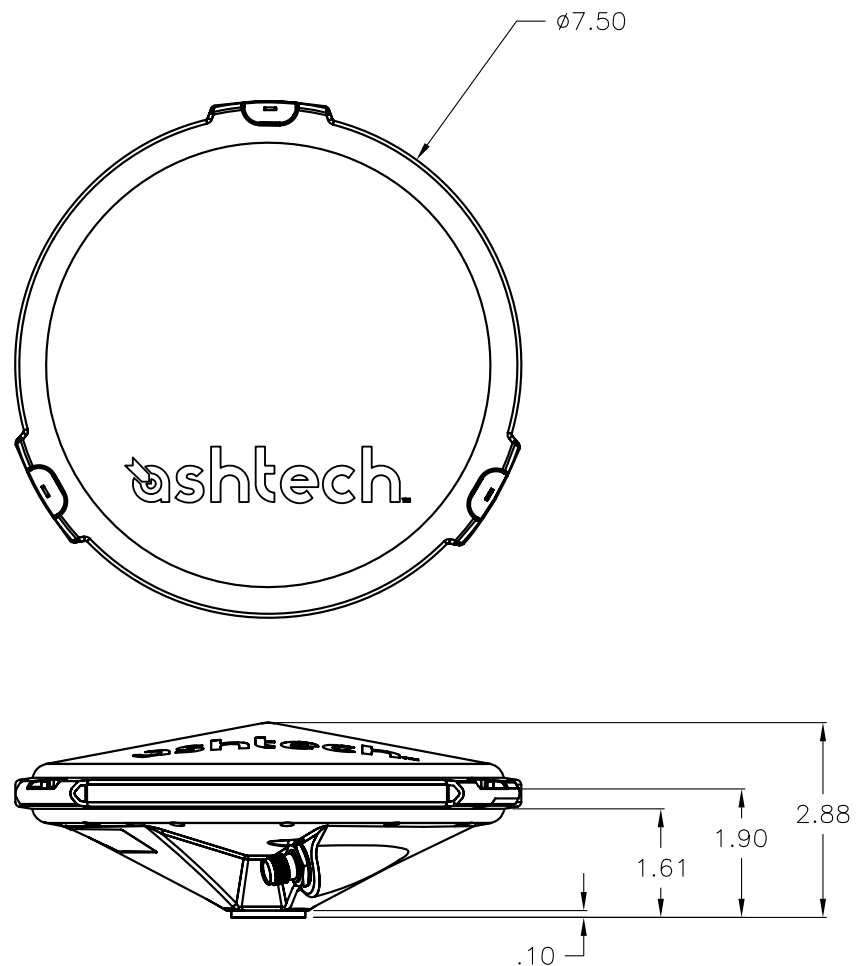
8 7 6 5 4 3 2 1

REVISIONS			
SYM	DESCRIPTION	DATE	APPROVED
A	RELEASED TO PRODUCTION PER ECO 9376	08/30/10	

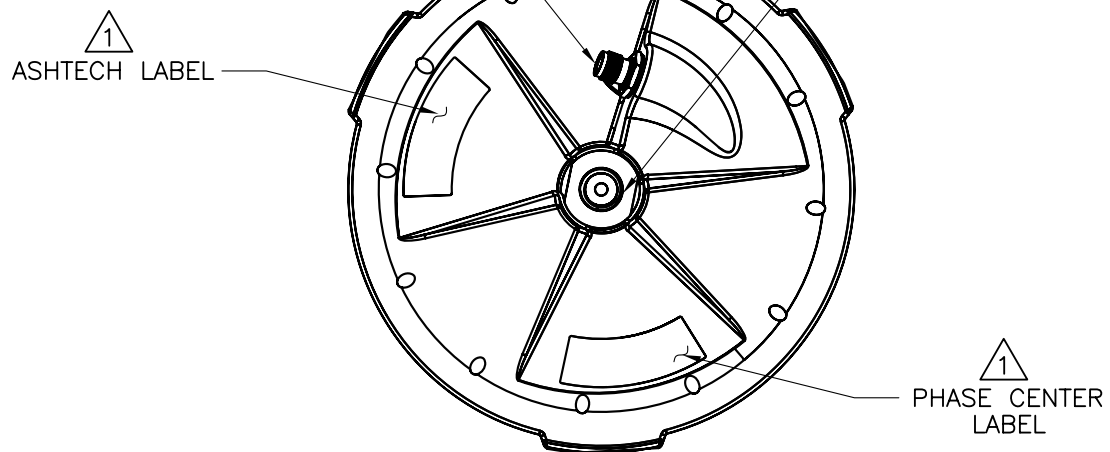
AT1675-539A

NOTES: UNLESS OTHERWISE SPECIFIED.

- 1 LABEL SIZE, SHAPE, AND CONTENTS SUBJECT TO CHANGE WITHOUT NOTICE.
- 2 BUMPER COLOR: BLUE PER RAL 5003
- 3. TOLERANCES: .XX ± .03  
.XXX ± .010



TNCF CONNECTOR  
5/8-11 UNC-2B ADAPTER PERMANENTLY INSTALLED



**SPECIFICATION:**

FREQUENCY: L1+GLONASS G1, L2+GLONASS G2+GALILEO L5  
1590 ±25 MHz  
1176 ±20 MHz  
1238 ±21.5 MHz

POLARIZATION: RIGHT HAND CIRCULAR

AXIAL RATIO: 3 dB MAX @ BORESIGHT

RADIATION COVERAGE: TBD

AMPLIFIER:  
GAIN: SPECIFY  
NOISE FIGURE: 2.5 dB MAX  
IMPEDANCE: 50 OHMS  
VSWR: ≤2.0:1  
BAND REJECTION: 20 dB @ 250 MHz  
POWER HANDLING: 1 WATT

FINISH: WEATHERABLE POLYMER

WEIGHT: 18 OZ MAX

ALTITUDE: 20,000'

OPERATING TEMP: -40°C TO +70°C



**PART NO. DESIGNATION:**

AT1675-539AS-XXXX-XXX-XX-XX-XX-X

CUSTOMER: A = ASHTECH

COLOR: S = SMOKE GRAY RAL 7035

CONNECTOR: TNCF = TNC FEMALE

CABLE LENGTH: \* 000 = IN INCHES

RoHS

MAGNET: NM = NO MAGNET

GAIN (± 2 dB): 38 = 38 dB (65 mA)

VOLTAGE: RG = 4.2 TO 15.0 VDC

\* = OPTION NOT AVAILABLE WITH THIS MODEL  
STANDARD MODEL= AT1675-539AS-TNCF-000-RG-38-NM-R

DO NOT SCALE THIS DRAWING	DRAWN	A. GUTIERREZ	08/30/10
REMOVE BURRS AND BREAK SHARP EDGES:	CHECKED		
PART TO BE CLEAN AND OIL FREE	ENGR	E. NABOYSHCHIKOV	09/07/10
ALL DIMENSIONS ARE IN INCHES DIMENSIONING & TOLERANCING PER ASME Y14.5M-1994	MFG	DANNY LEVY	09/08/10
TOLERANCES: .XX = ±.01 FRACT = ±1/32 .XXX = ±.005 ANG. = ±1/2°	Q.A.	B. RUBENI	09/07/10
✓ SURFACE ROUGHNESS MACHINED PARTS V63 MOLDED PARTS V32	APPROVED	YOUSSI ZADEH	09/08/10
HOLE DIA. TOLERANCE	DRAWN IN	CAD	
.0135 - .125 +.004 -.001			
.126 - .250 +.005 -.001			
.251 - .500 +.006 -.001			
.501 - .750 +.008 -.001			

**AeroAntenna Technology Inc**  
AS9100 CERTIFIED CO.

TITLE: L1+GLONASS G1, L2+GLONASS G2+GALILEO L5 ANTENNA

SIZE: B	CAGE CODE: OUVG2	DRAWING NO.: AT1675-539A	REV: A
---------	------------------	--------------------------	--------

SCALE: NONE | I:\CAD\AT1675\539\AT1675-539A\_A SHEET 1 OF 1

PROPRIETARY NOTE: This document contains information of AeroAntenna Technology Inc. (AAT). Neither the document nor said proprietary information shall be published, reproduced, copied, disclosed or used for any other purpose other than consideration of document without the express written permission of a duly authorized representative of said AeroAntenna Technology Inc.

NEXT ASSY