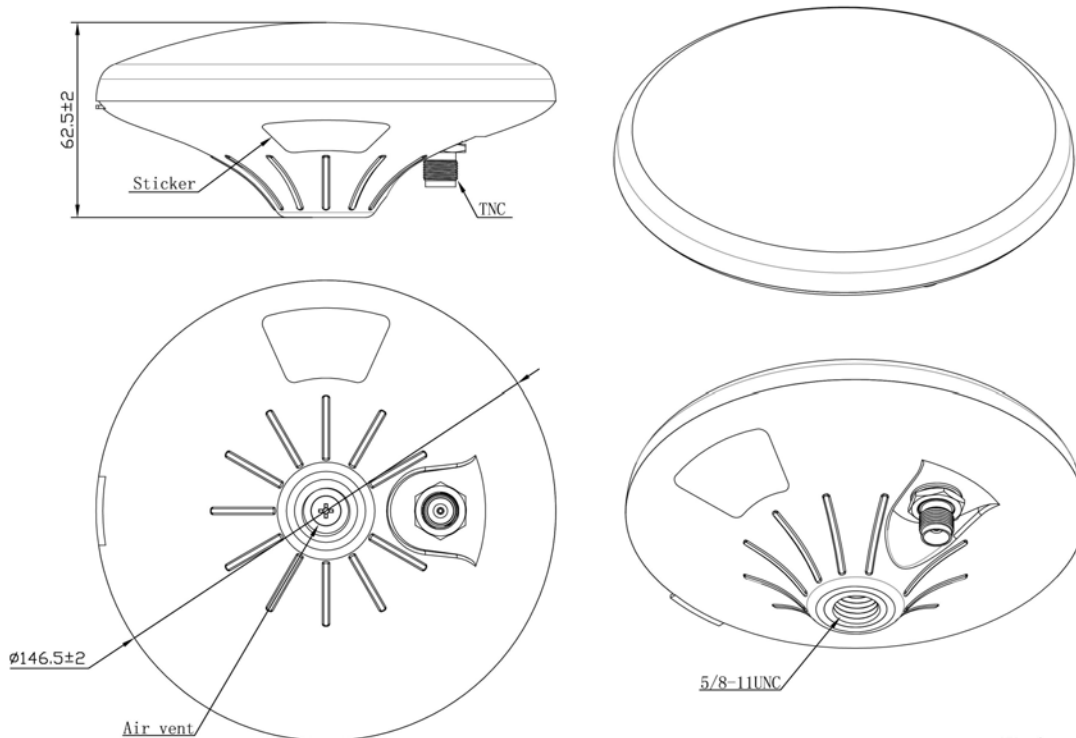


GNSS Surveying Antenna JCA228



DIMENSIONS



Unit:mm

JIAXING JINCHANG ELECTRONIC TECHNOLOGY CO.,LTD

Add: 398#,Zhenye Road, South Street, Jiaxing, Zhejiang, China

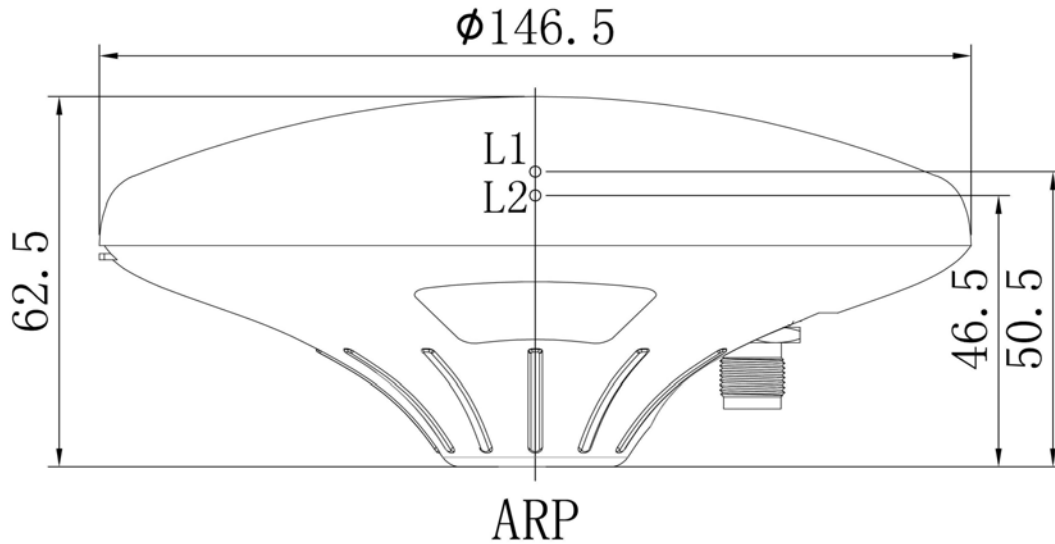
Http:// www.jinchanggps.com

E-mail:jcgps@vip.163.com

Tel: 86-0573-83692157/83692605/83958637 Fax:86-0573-83958635

SPECIFICATIONS

Item		Specifications
Antenna	Frequency	GPS L1/L2 GLONASS L1/L2 COMPASS B1/B2/B3 Galileo E5b/E6
	Polarization	RHCP
	Axial Ratio	≤3dB
	V.S.W.R	≤1.5
	Peak Gain	≥5dBi
	Impedance	50 Ω
	Phase Center Error	±2mm
	Horizontal coverage angle	360°
LNA	Gain	40 ± 2dB
	Noise Figure	≤1.5dB
	Passband fluctuation	±1dB
	Supply Voltage	3~5.5V DC
	Current Consumption	≤45mA
	V.S.W.R	≤2.0
Mechanical	Connector	TNC-K
	Radome Material	ABS
	Mounting Method	Screw
Environmental	Operating Temperature	-40°C~+85°C
	Relative Humidity	Up to 95%
	Ingress Protection	IP67 (exclude Air vent in screw hole)
	Environmentally Friendly	ROHS Compliant

Antenna Reference Point&Phase Center

Mechanical Offsets Units in “mm”